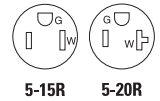


# Combination USB A&C charger with TR duplex receptacle

Project Name:	Prepared By:
Project Number:	Date:
Catalog Number:	Type:

## Description

2-Pole, 3-Wire grounding  
 15A, 125V/AC, 5V/DC, 5.0A  
 20A, 125V/AC, 5V/DC, 5.0A  
 NEMA 5-15R, 5-20R



## Design features

- Standard AC receptacle with USB and USB-C ports rated at a combined 5.0A
- USB-C charging port charges most electronic devices that comply with the USB-C standard
- Tamper resistant shutters provide compliance with 2017 NEC® Article 406.12 that states that all 15A and 20A, 125V receptacles installed in dwelling units must be tamper resistant
- Replaces a standard duplex receptacle
- Automatic grounding system eliminates need for bonding jumper in grounded metal enclosure, provides redundant measure of ground continuity where jumper is used
- Thermoplastic top and back-body are virtually unbreakable to deliver years of durable performance
- Steel mounting strap is zinc plated for added corrosion resistance
- Convenient patented built-in wire strippers speed installation
- Triple wipe blade contacts and double wipe ground contacts to insure long-term blade retention
- Reversible Type C port allows for consistent charging regardless of plug-in orientation

**Table 1. USB A&C charger with TR duplex receptacle**

Catalog no.	Description	Rating		USB Rating		Color suffix
		A	V/AC	Amp	V/DC	
<input type="checkbox"/> TRUSBAC15__	5.0A USB A&C charger with tamper resistant duplex receptacle	15	125	5.0	5	B, BK, GY, LA, V, W
<input type="checkbox"/> TRUSBAC20__	5.0A USB A&C charger with tamper resistant duplex receptacle	20	125	5.0	5	B, BK, GY, LA, V, W

Compliances, specifications and availability are subject to change without notice.



Powering Business Worldwide

Project Name:	Prepared By:
Project Number:	Date:
Catalog Number:	Type:

## Applications

Eaton's USB A&C duplex receptacle is an all-in-one convenient fast charging solution for both Type A and C electrical devices in residential and commercial environments. The USB A&C duplex receptacle eliminates clutter by presenting adapter-free charging for compatible electronic devices, while enabling simultaneous charging of up to two devices rated at 5A charging capability. The Type-C port features the ability to deliver optimized charge by recognizing the requirements of attached electronic devices. The product allows for easy installation by leveraging Eaton's convenient patented built-in wire strippers. Designed to be child-safe, the receptacle has tamper-resistant shutters that comply with 2014 NEC® Article 406.12.

**Table 2. Specifications**

Catalog No.	TRUSBAC15, TRUSBAC20 Series
<b>Device type</b>	USB A&C combination charger with tamper resistant duplex receptacle
<b>Wiring type</b>	Side & back wire
<b>Testing &amp; Code Compliance</b>	cULus Listed to UL498 and UL1310, E15058
<b>Environmental Specifications</b>	<b>Flammability:</b> Meets UL 94 requirements; V2, 5VA rated <b>Temperature Rating:</b> -20°C to 60°C (-4°F to 140°F)
<b>Electrical Specifications: AC output</b>	<b>Dielectric voltage:</b> Receptacle withstands 2000V per UL498 <b>Temperature rise:</b> Receptacle - max. 30°C (86°F) after 100 cycles of overload @ 150% of rated current (DC)
<b>Electrical Specifications: DC output</b>	<b>Switching frequency:</b> Typical 130 kHz <b>Output voltage:</b> Nominal 5V (+/- 10%) <b>Protection:</b> Current limiting and thermal shutdown protection <b>Output current:</b> Constant current maximum 5.0A
<b>Mechanical specifications</b>	<b>Terminations:</b> Device can be wired using #10 to #14 AWG wires

**Table 3. Materials**

Catalog No.	TRUSBAC15, TRUSBAC20 Series
<b>Top Housing</b>	PC
<b>Bottom Housing</b>	PBT
<b>Strap</b>	0.047" thick steel, zinc plated
<b>Auto Ground Clips</b>	Phosphor bronze
<b>Line Contacts</b>	0.030" thick brass
<b>Ground Contact</b>	0.014" thick brass
<b>Tamper Resistant Shutters</b>	Reliable Delrin® shutter assembly
<b>Terminal Screws</b>	#8-32 steel, Zinc plated; Neutral screw nickel plated Ground Screw #8-32 Steel, Zinc plated; Green

**Table 4. Color Ordering Information**

For ordering devices, include Cat. No. followed by the color code: B (Brown), BK (Black), GY (Gray), LA (Light Almond), V (Ivory), W (White)

<b>B</b>	<b>BK</b>	<b>GY</b>	<b>LA</b>	<b>V</b>	<b>W</b>
(Brown)	(Black)	(Gray)	(Light Almond)	(Ivory)	(White)

Project Name:	Prepared By:
Project Number:	Date:
Catalog Number:	Type:

## Product Dimensions

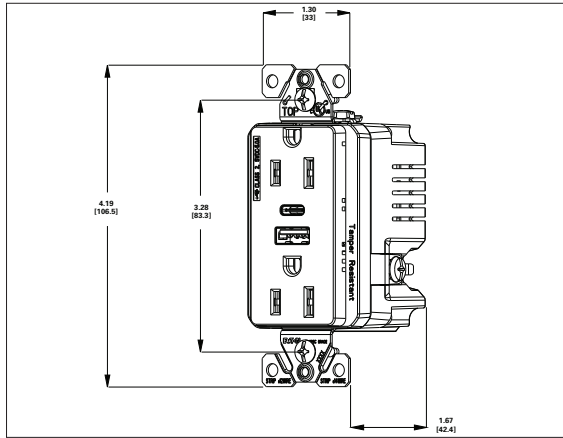


Figure 1. TRUSBAC15

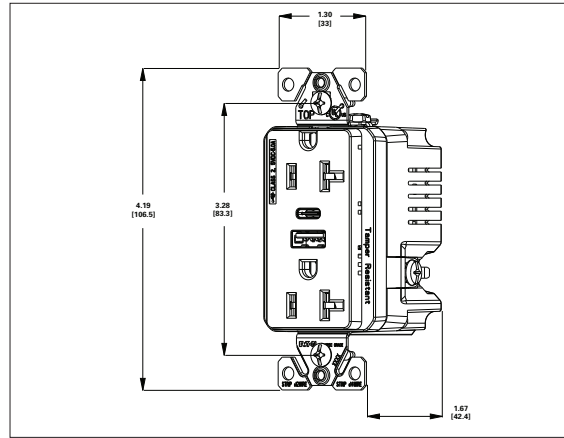
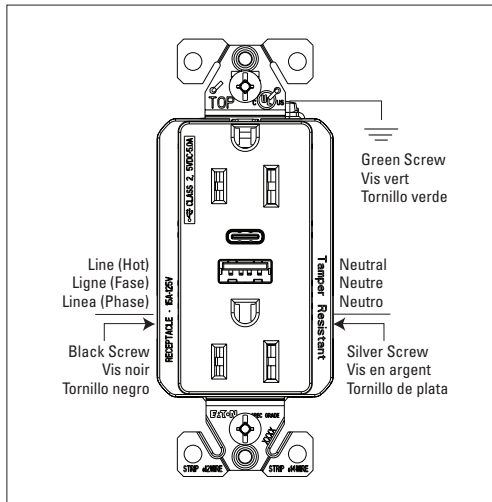



Figure 2. TRUSBAC20

## Wiring Diagram



## Certifications & Compliances

Catalog No.	
TRUSBAC15	•
TRUSBAC20	•

KEY:  cULus

Compliances, specifications and availability are subject to change without notice.

Electrical Sector  
203 Cooper Circle  
Peachtree City, GA 30269  
United States  
Eaton.com  
Eaton.com/wiringdevices

Electrical Sector  
Canada Operations  
5925 McLaughlin Road  
Mississauga, Ontario, L5R 1B8  
Canada  
EatonCanada.ca  
Eaton.com/wiringdevices

Electrical Sector  
Mexico Operations  
Carr. Tlalnepantla -  
Cuautitlan Km 17.8 s/n  
Col. Villa Jardin esq.  
Cerrada 8 de Mayo  
Cuautitlan, Mexico CP 54800  
Mexico  
Eaton.mx  
Eaton.com/wiringdevices